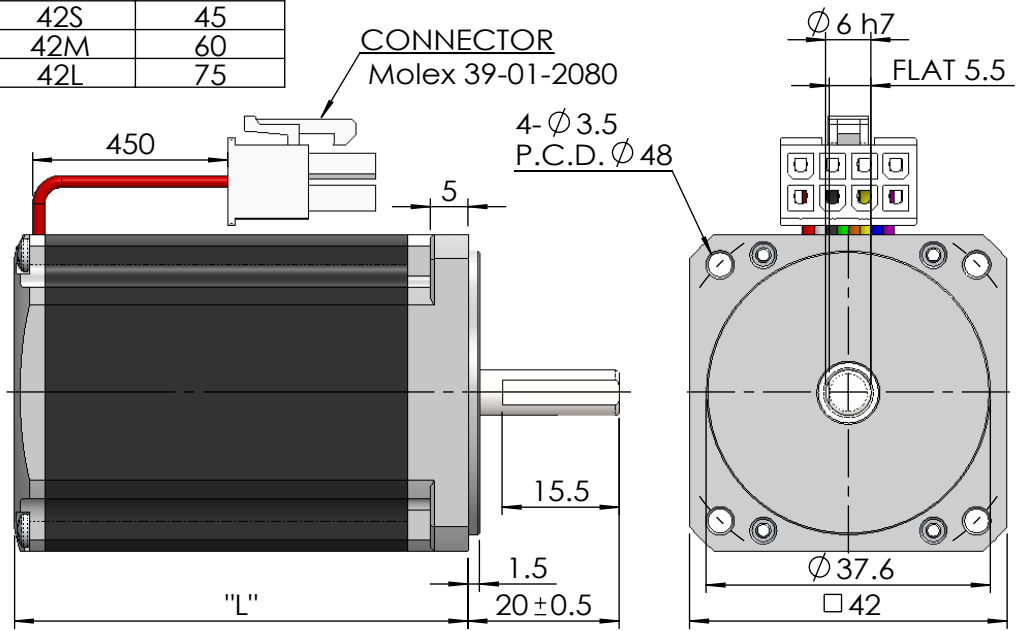
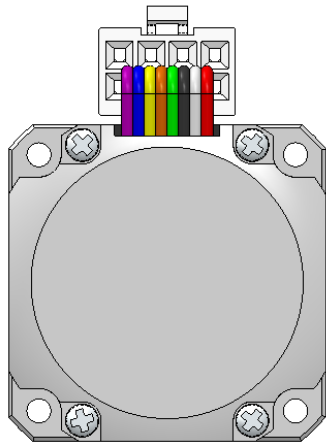




**Brushless
BH42**

Model	"L"
42S	45
42M	60
42L	75



ITEM	PARAMETER	SYMBOLS	UNITS	BH42S	BH42M	BH42L
1	Voltage	Vr	V D.C.	24	24	24
2	No load speed	No	R.P.M.	5300	5200	4800
3	No load current	Io	mA	130	140	250
4	Rated speed at max. efficiency	Nr	R.P.M.	4423	4619	4172
5	Rated current at max. efficiency	Ir	mA	754	1186	1723
6	Rated torque at max. efficiency	Tr	Gr-Cm	273	447	720
7	Rated power at max. efficiency	Pr	W	12.4	21.2	30.8
8	Efficiency	η	%	68.6	74.5	74.6
9	Stall torque	Ts	Gr-Cm	1650	4000	5500
10	Stall current	Is	mA	3900	9500	11500
11	Peak output power	Pmax	Watts	22.5	53.4	67.8
12	Terminal resistance	Rt	Ohms	6.15	2.53	2.09

CONNECTION		
Signification	COLOR	PIN No.
U Phase	Red	1
V Phase	White	2
W Phase	Black	3
GND	Green	4
Vcc	Orange	5
Hall U	Yellow	6
Hall V	Blue	7
Hall W	Purple	8

