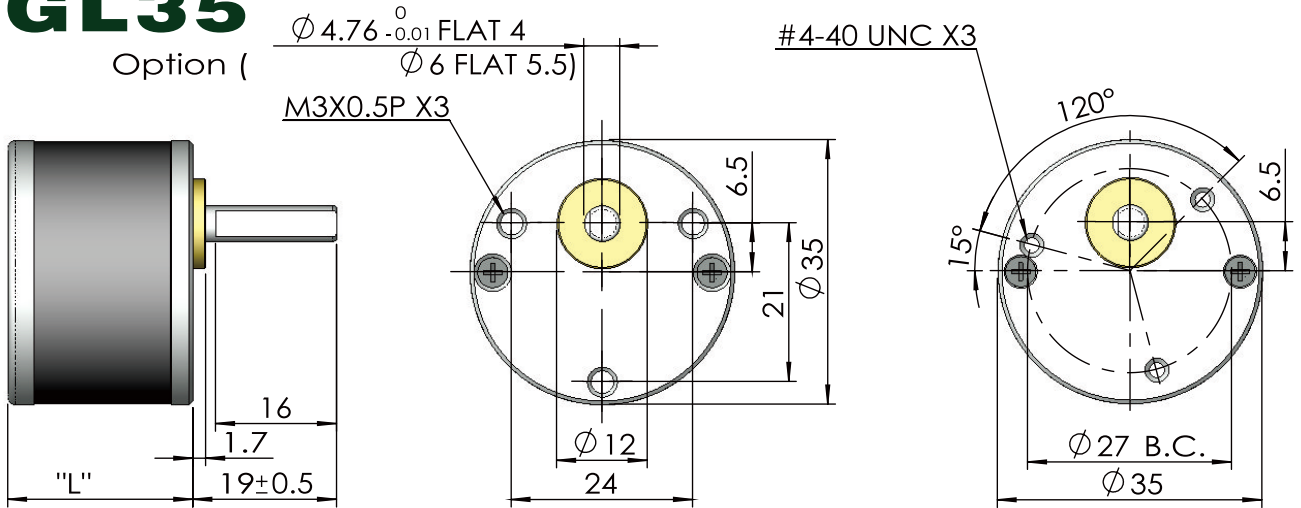


## Spur Gearhead

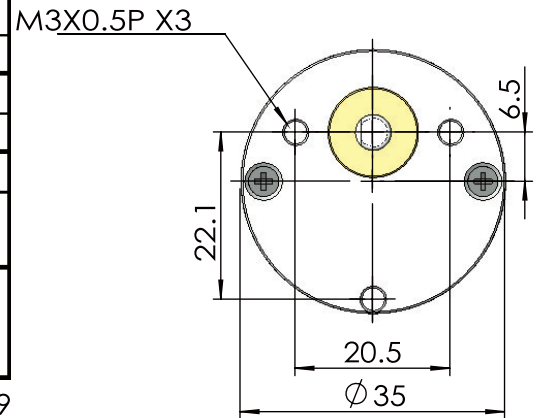
# GL35

Option (



Type		A	B	C	D	E	F
Stages		2	3	4	5	6	7
Ratio	H	6.36	19.7	61.2	190	588	1822
	G	10	31.2	96.7	300	930	2880
Dim."L"	H	24.5		27.5	30.5	33.5	
	G	24.5	27.5	30.5	33.5	36.5	
Eff.%		81	73	65	60	53	48
Max. Cont. Torque kg-cm		0.5	1.3	3.5	4.7	5.5	6
Max. Peak Torque kg-cm		1.5	4	10.5	14	16.5	18

## GS35-INCH



2014-09

## Gear motor

# GL35

# GL35

