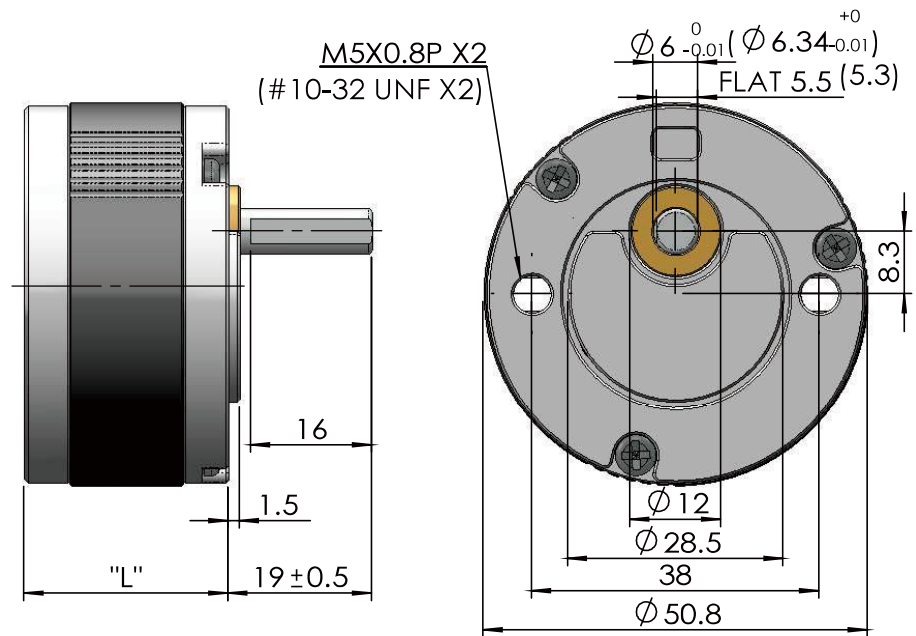




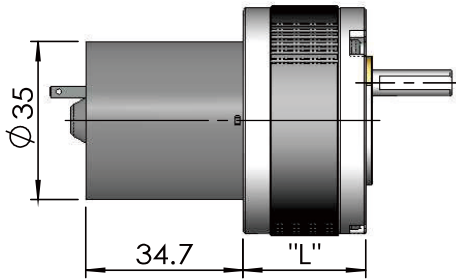
## Spur Gearhead

# GN50

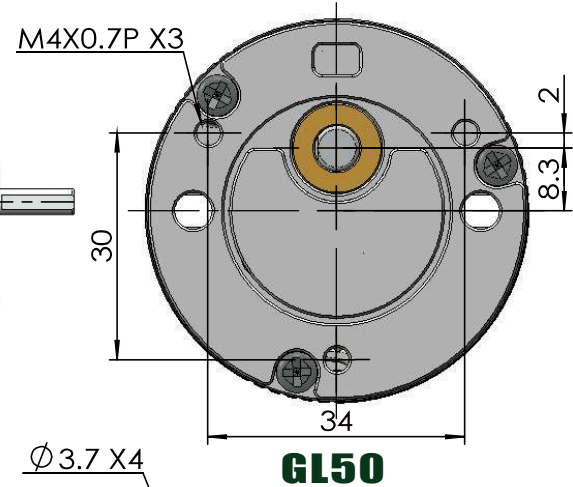
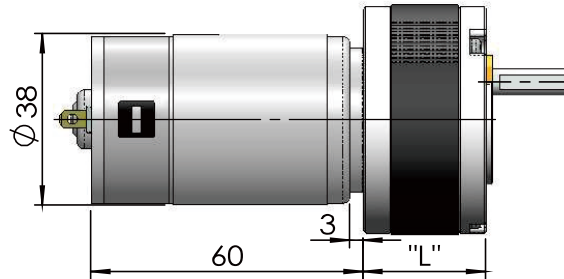
| Stages                | 2  | 3  | 4    | 5   | 6   | 7    |
|-----------------------|----|----|------|-----|-----|------|
| Ratio A               | 6  | 18 | 54   | 162 | 486 | 1458 |
| Ratio B               | 8  | 24 | 72   | 216 | 648 | 1944 |
| Ratio C               | 10 | 30 | 90   | 270 | 810 | 2430 |
| Ratio D               | 12 | 36 | 108  | 324 | 972 | 2916 |
| Dim. "L"              | 27 |    | 34.5 |     | 42  |      |
| Eff. %                | 81 | 73 | 65   | 60  | 53  | 48   |
| Cont. Torque<br>kg-cm | 5  | 8  | 18   | 24  | 30  | 30   |
| Peak Torque<br>kg-cm  | 15 | 20 | 54   | 60  | 60  | 60   |



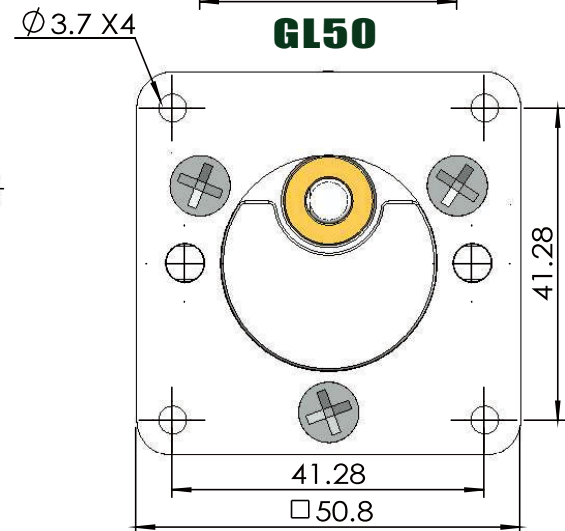
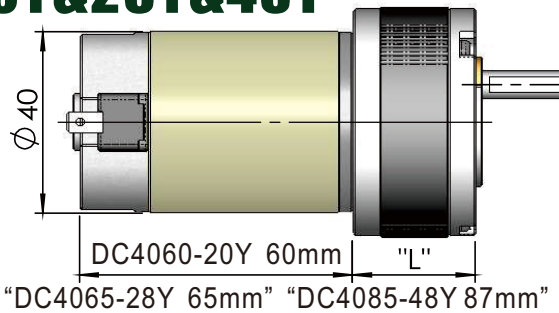
## Gear motor GN50-15YC



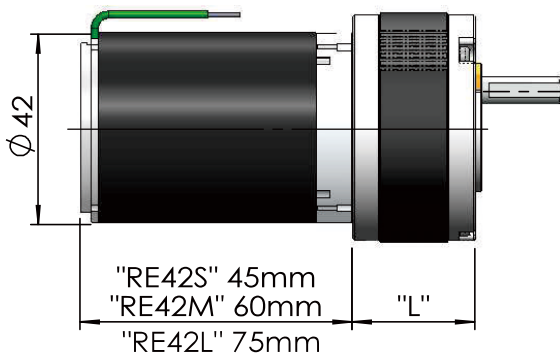
## Gear motor GN50-26Y



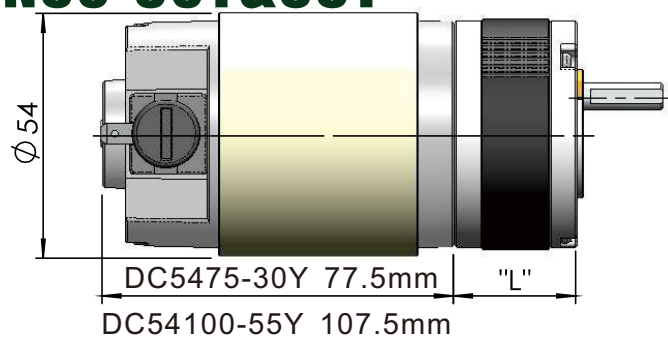
## Gear motor GN50-20Y&28Y&48Y



## Gear motor GN50-RE42 Brushless



## Gear motor GN50-30Y&55Y



**GF50**