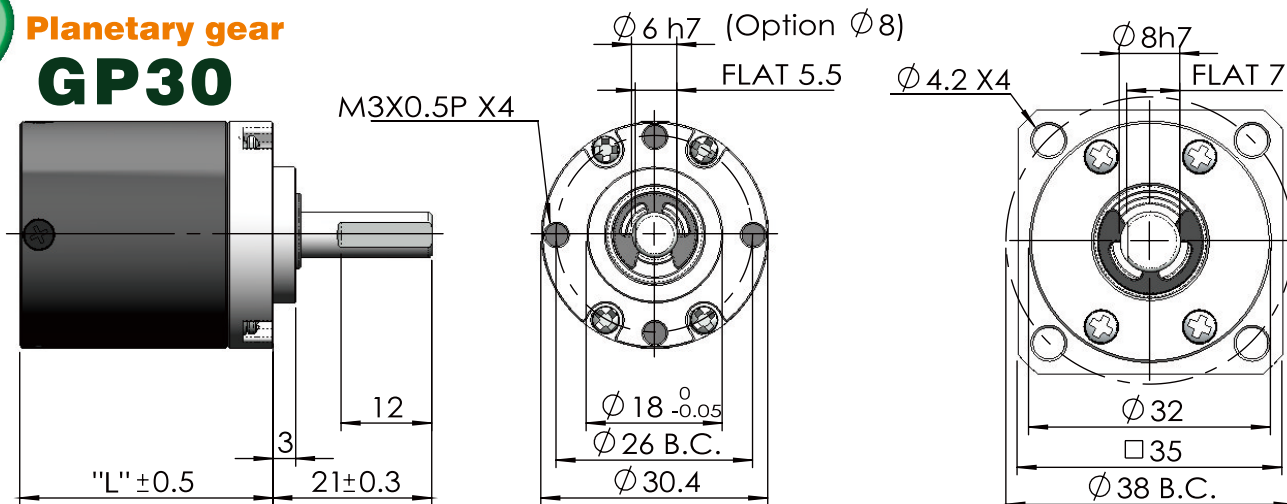


Planetary gear

GP30



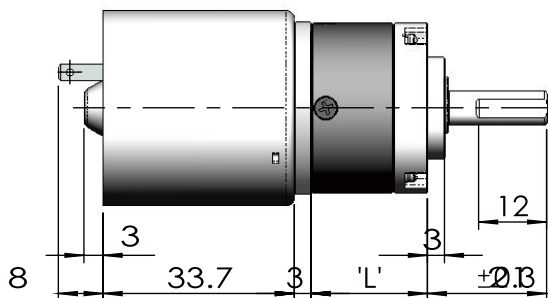
GF30

Type	A	B	C	D	E	F	G	H	I	J	K	L	M	N	O	P	Q	R	S	T	U	V	W
Ratio	3.3	4	5.2	10.9	13.2	16	20.8	27	35.9	43.6	52.8	64	89.2	108.2	140.6	118.6	186.9	226.5	256	332.8	432.6	562.4	731.1
Stages	1			2			3			4													
Dim. "L"	20.5			27			33.5			40													
Eff %	90			81			73			65													
Cont. Torque	8 kg-cm			12 kg-cm			20 kg-cm			20 kg-cm													
Peak Torque	24 kg-cm			36 kg-cm			60 kg-cm			60 kg-cm													

2014-09

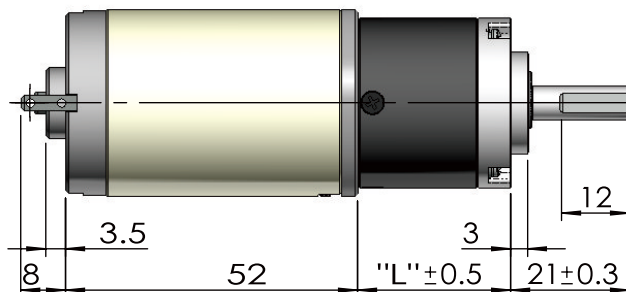
Gear motor

GP30-15YC



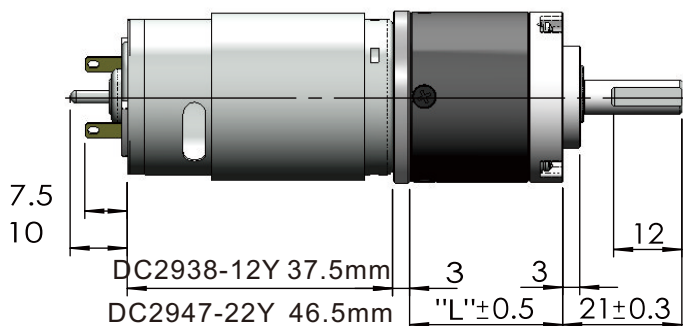
Gear motor

GP30-18Y



Gear motor

GP30-12Y&22Y



Gear motor

GP30-20Y&28Y

