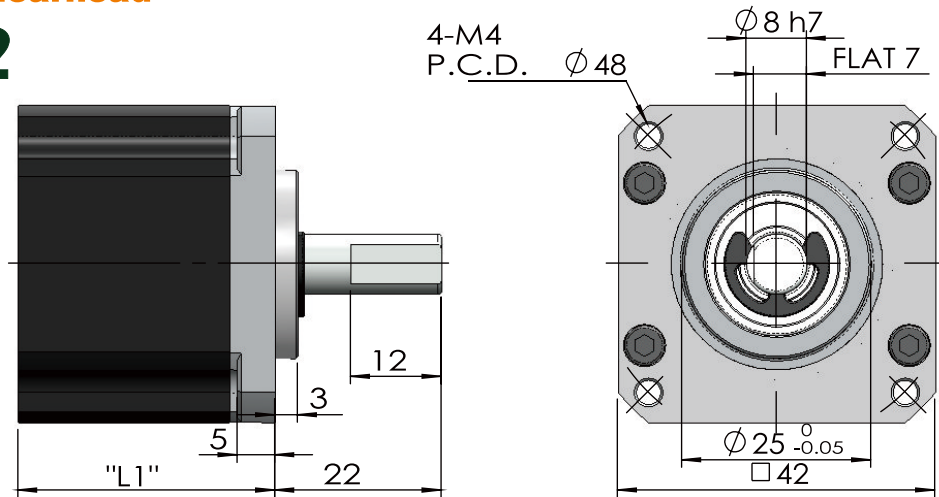




Planetary Gearhead

GP42



Type	A	B	C	D	E	F	G	H	I	J	K	L	M	N
Ratio	4	6	16	24	36	64	96	144	216	256	384	576	864	1296
Step	1		2			3				4				
Dim. "L1"	26		34			42.5				51				
Eff %	90		81			73				65				
Cont. Torque	10 kg-cm		30 kg-cm			60 kg-cm				60 kg-cm				
Peak Torque	30 kg-cm		90 kg-cm			180 kg-cm				180 kg-cm				

Gear motor

GP42-BF42 Brushless

Model	"L"
42S	45
42M	60
42L	75

