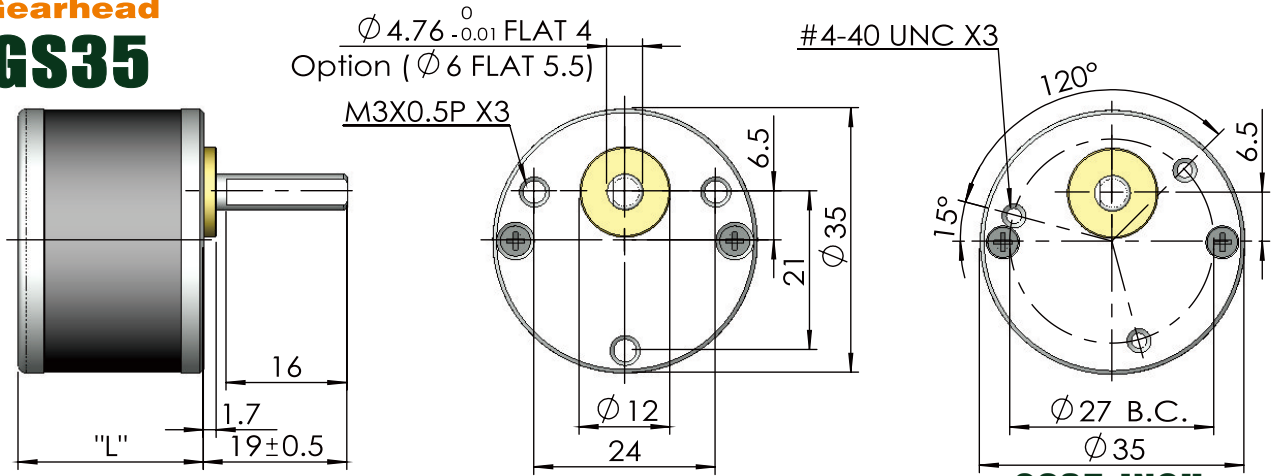


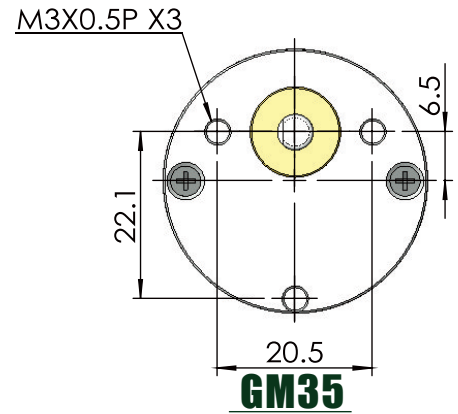


Spur Gearhead GS35



GS35-INCH

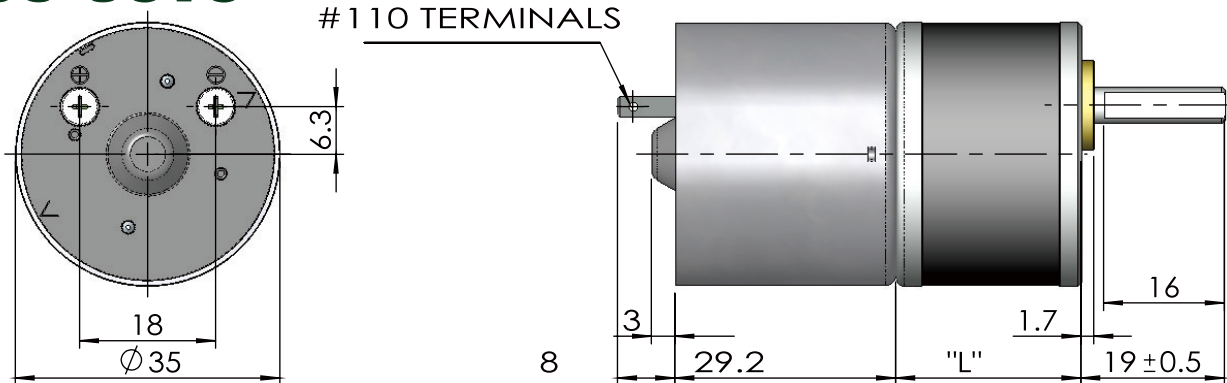
Type	A	B	C	D	E	F
Stages	2	3	4	5	6	7
Ratio	6.36	19.7	61.2	190	588	1822
Dim. "L"	24.5			27.5	30.5	33.5
Eff. %	81	73	65	60	53	48
Max. Cont. Torque kg-cm	0.5	1.3	3.5	4.7	5.5	6
Max. Peak Torque kg-cm	1.5	4	10.5	14	16.5	18



GM35

Gear motor

GS35-8CYC



Gear motor

GS35-15YC

