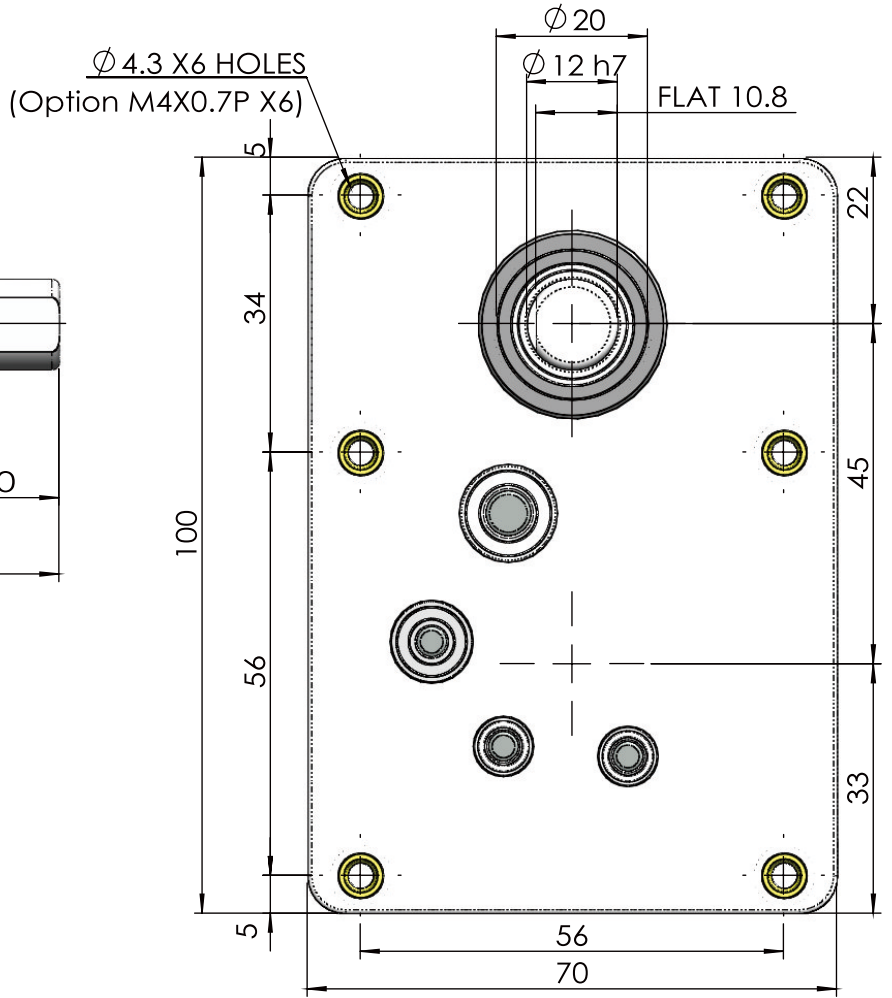
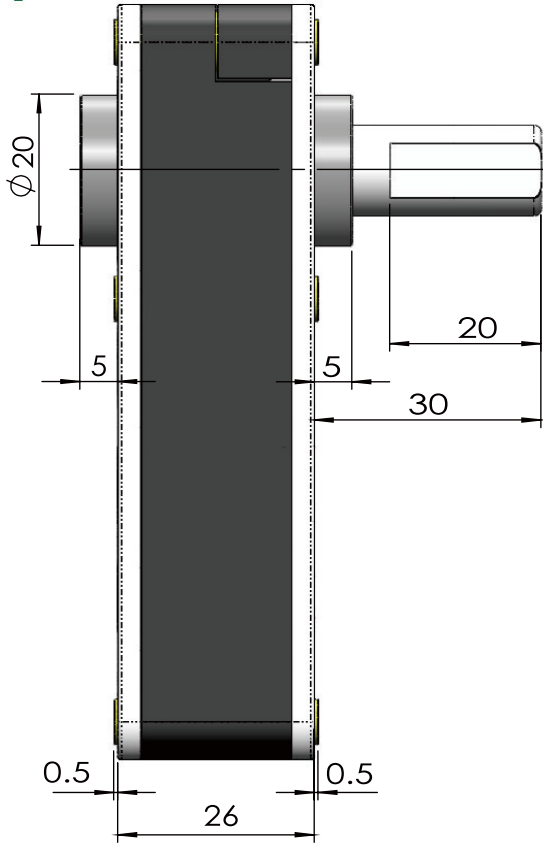
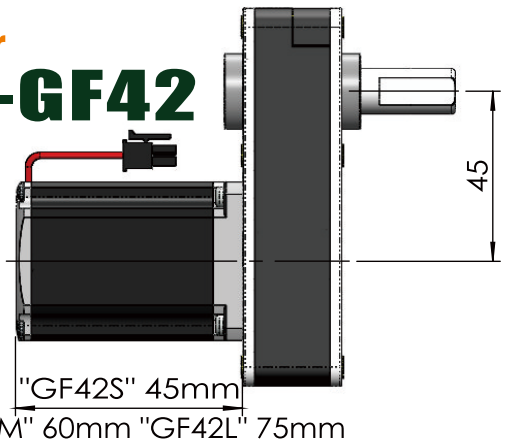


Spur Gearhead
GS70

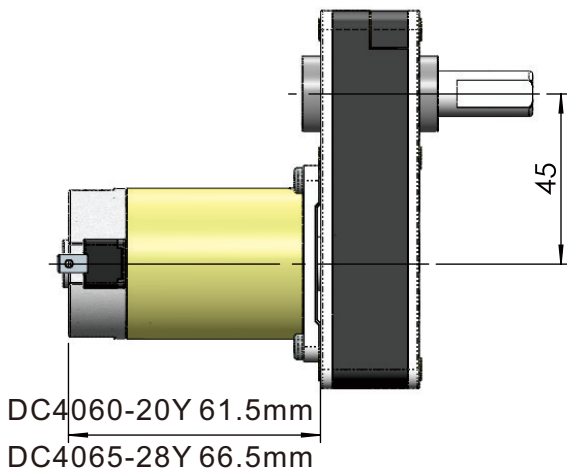


Type	A	B	C	D	E
Ratio	62.5	125	250	375	450
Stages	4	5			
Eff %	65	60			
Cont. Torque	40 kg-cm	100	150 kg-cm		
Peak Torque	120 kg-cm	300	450 kg-cm		

Gear motor
GS70-GF42



Gear motor
GS70-20Y&28Y



Gear motor
GS70-30Y&55Y

